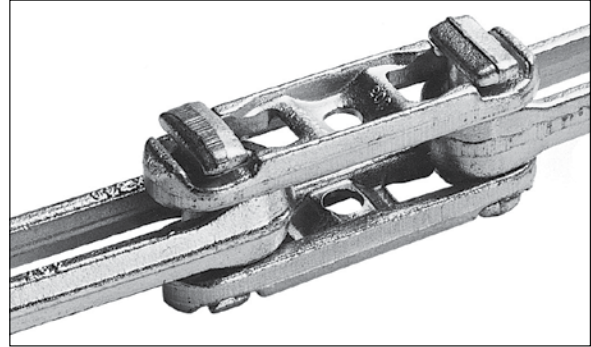


**U.S. TSUBAKI** **UNION CHAIN DIVISION - DROP FORGED RIVETLESS CHAINS**

A - ENGINEERING CLASS CHAINS

**UWL Drop Forged Rivetless Chain**



**UWL (Ultra Wear Life) Drop Forged Rivetless Chains**

Ultra Wear Life Drop Forged Rivetless Chain extends wear life of rivetless chain. Tests under real-life conditions have proven that UWL chain lasts 40 to 50 percent longer than ordinary rivetless chain.

This extraordinary performance has been achieved with special steels and a proprietary pin hardening process. Since pin wear is the major limiting factor with rivetless chain, Union's specially produced pins greatly increase the chain's wear life.

UWL Drop Forged Rivetless Chain is available in X-348, X-458, X-678, 698 and barloop styles.

**Higher Hardness Pin for "Ultra Wear Life" Performance**

