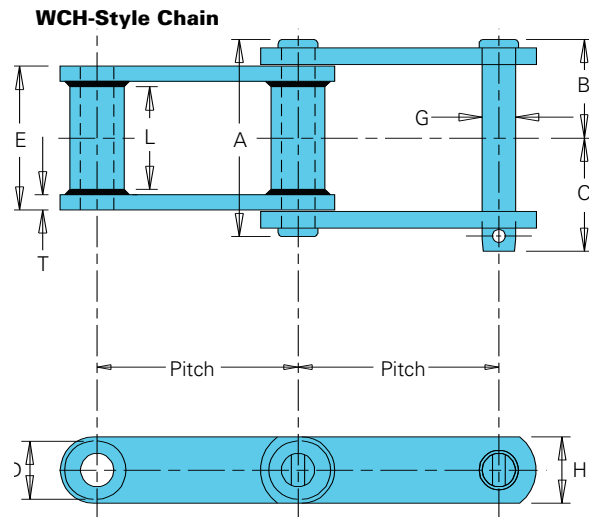
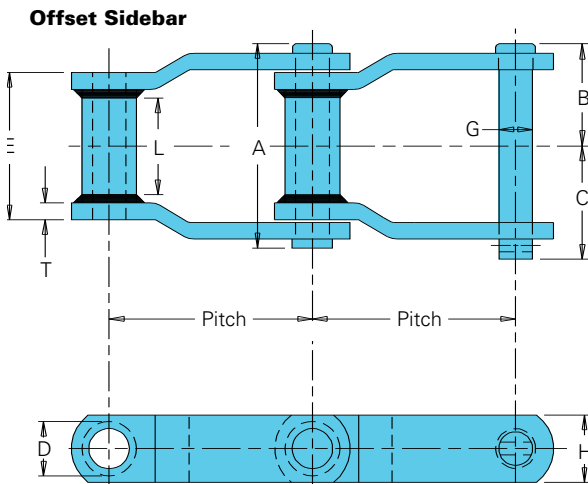
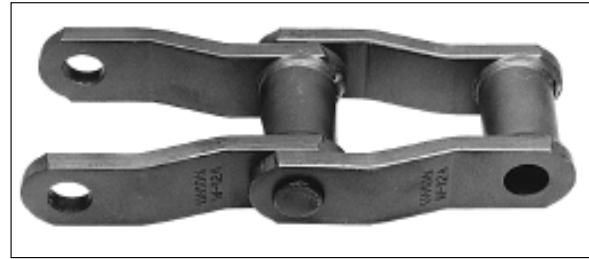


Welded Steel Mill Chain

Union offers a line of Welded Steel Mill Chains for most conveying, driving and elevating applications where high strength rollerless chains are required. They are available with a full line of attachments which makes them easily adaptable to a wide variety of applications.



Welded Steel Mill Chain Specifications

All dimensions are in inches unless otherwise indicated.

Chain No.	Pitch	Chain Width				Barrel		Pin Dia.	Sidebars		Average Ult. Strength (lbs.)	Maximum Work Load (lbs.)	Approx. Weight (lbs./ft.)
		Overall	Pin Head to CL	Pin End to CL	Lgth. of Bearing	D	L		Thick.	Height			
		A	B	C	E	D	L	G	T	H			
WH-78	2.609	3.00	1.44	1.56	2.00	.88	1.13	.50	.25	1.13	33,000	3,500	4.0
WH-82	3.075	3.25	1.56	1.69	2.25	1.06	1.25	.56	.25	1.25	36,000	4,400	4.8
WH-124 ¹	4.000	4.25	2.03	2.22	2.75	1.25	1.63	.75	.38	1.50	60,000	7,350	8.3
WH-124H	4.063	4.75	2.28	2.47	3.00	1.75	1.63	1.00	.50	2.00	100,000	10,500	14.7
WH-111	4.760	4.88	2.34	2.54	3.38	1.38	2.38	.75	.38	1.75	60,000	8,850	9.5
WH-106	6.000	4.25	2.03	2.31	2.75	1.25	1.63	.75	.38	1.50	60,000	7,200	7.0
WH-132 ¹	6.050	6.25	3.00	3.40	4.38	1.75	2.88	1.00	.50	2.00	100,000	15,300	14.2
WH-150	6.050	6.25	3.00	3.25	4.38	1.75	2.88	1.00	.50	2.50	100,000	15,300	16.8
WH-155	6.050	6.91	3.25	3.66	4.63	1.75	3.00	1.13	.63	2.50	184,000	20,000	20.0
WCH-132	6.050	6.25	3.00	3.25	4.38	1.75	2.88	1.00	.50	2.00	100,000	15,300	14.2

Indicates this chain is normally stocked. All others are made-to-order.

¹Chain numbers WH-124 and WH-132 are also stocked in stainless steel with riveted and cottered construction.

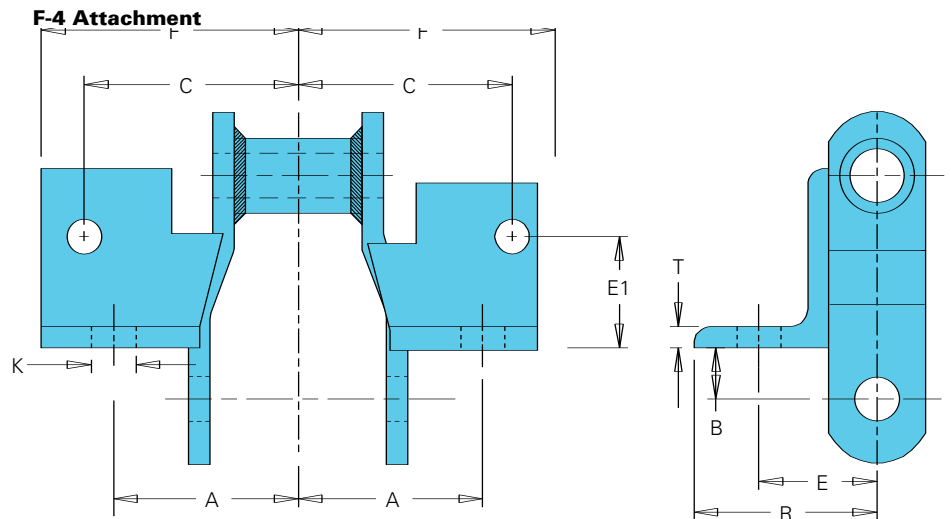
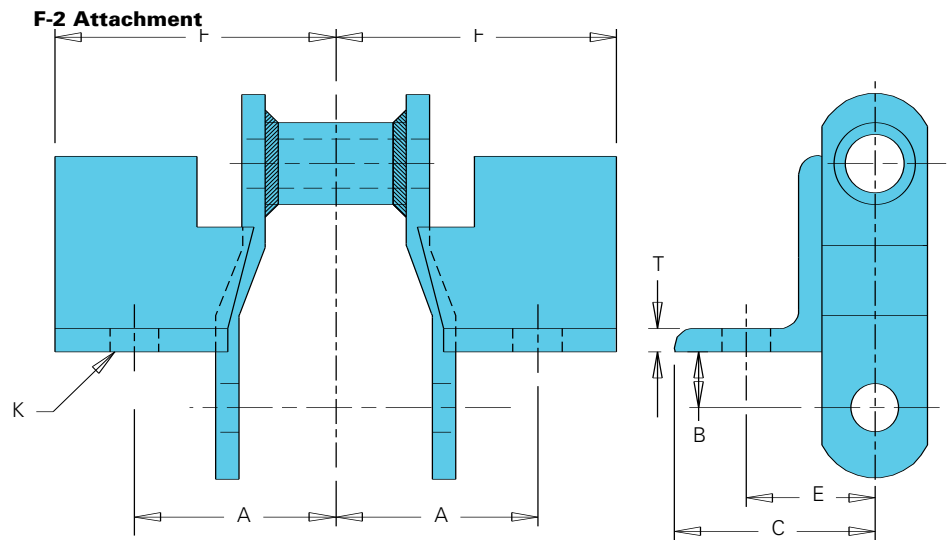
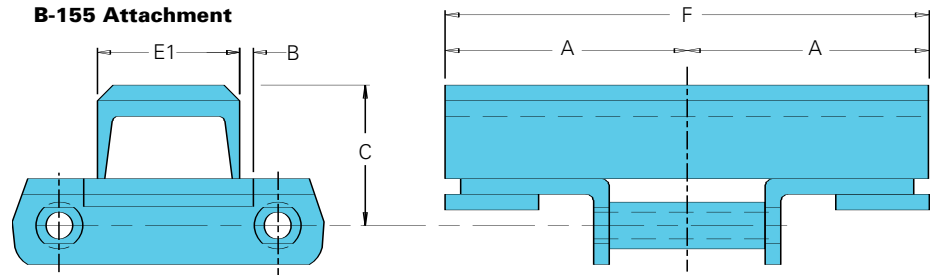
To locate compatible sprockets for your chain, refer to the Product Cross-Reference in Section D.

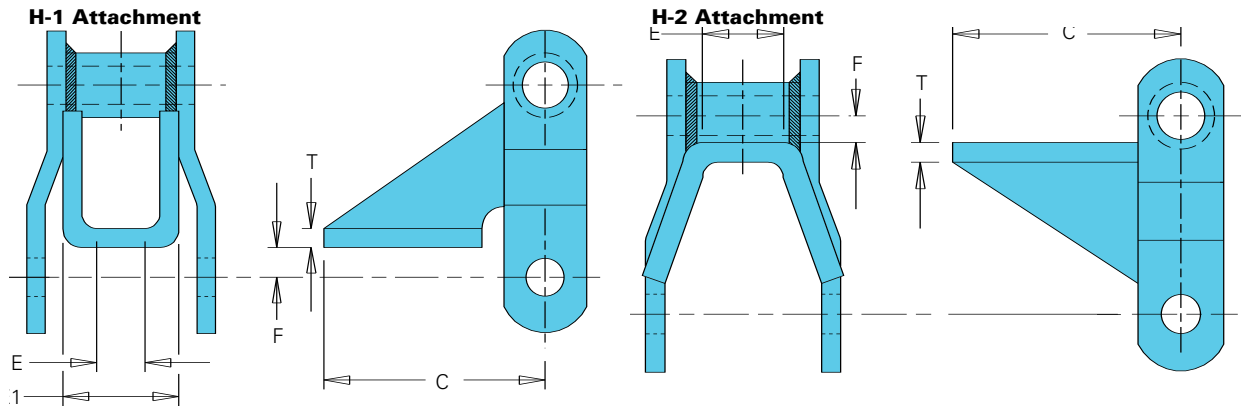
Note: Dimensions are subject to change. Contact Union Chain to obtain certified prints for design and construction.

UNION CHAIN DIVISION - WELDED STEEL CHAINS

U.S. TSUBAKI

A - ENGINEERING CLASS CHAINS





Welded Steel Mill Chain Attachments

All dimensions are in inches unless otherwise indicated.

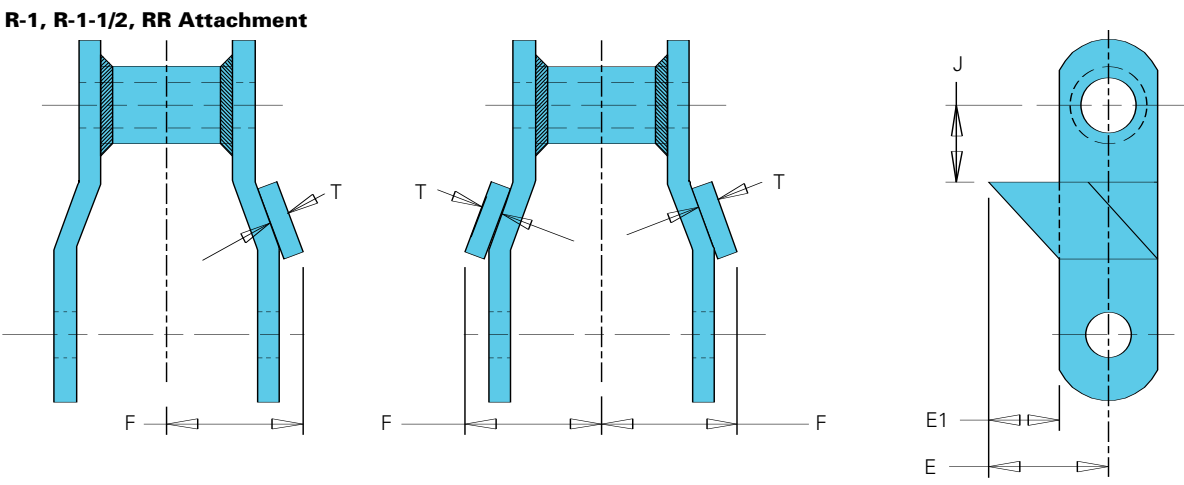
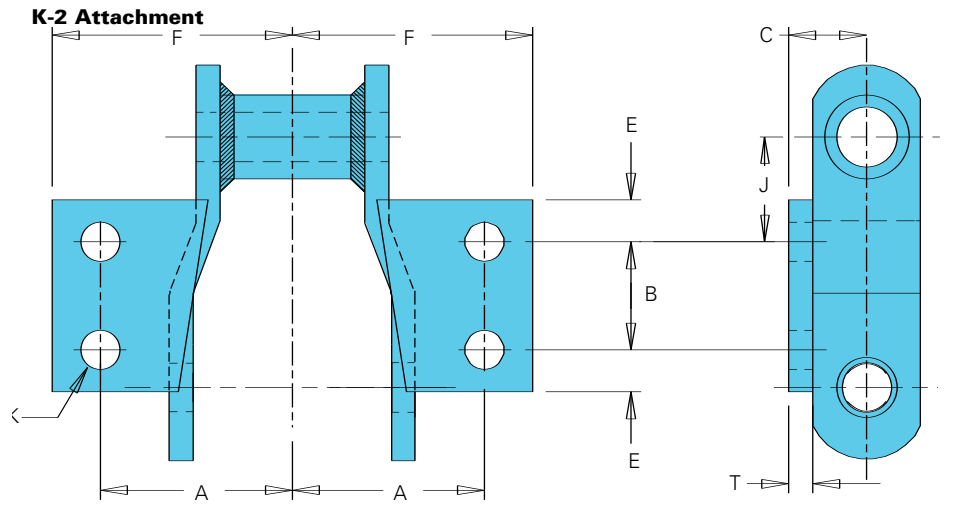
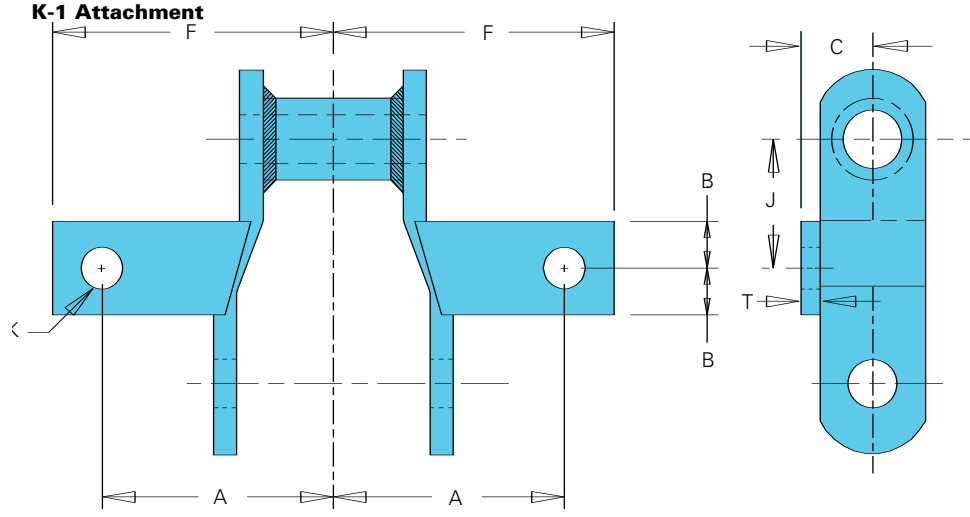
Attach. Number	Chain Number										Approx Weight (lbs./ft.)
		A	B	C	E	E1	F	K	T	R	
B-155	WH-132	7.00	1.03	4.25		4.00	14.00				49.6
	WH-150	7.00	1.03	4.50		4.00	14.00				54.6
	WH-155	7.00	1.03	4.50		4.00	14.00				56.6
F-2	WH-78	1.88	.69	2.06	1.44		2.69	.38	.25		6.0
F-4	WH-78	1.88	.69	2.25	1.44	1.25	2.75	.38	.25	2.06	6.1
	WH-82	2.06	.75	2.50	1.50	1.13	2.97	.38	.25	2.38	8.9
	WH-124	2.19	.88	2.63	2.06	1.44	3.09	.38	.39	2.75	11.6
H-1	WH-78			3.56	.88	1.75	.50		.25		8.3
	WH-82			3.63	1.13	2.00	.63		.25		9.9
H-2	WH-78			3.56	.81		.31		.25		7.5
	WH-82			3.63	1.03		.38		.25		8.8

To locate compatible sprockets for your chain, refer to the Product Cross-Reference in Section D.

Note: Dimensions are subject to change. Contact Union Chain to obtain certified prints for design and construction.

UNION CHAIN DIVISION - WELDED STEEL CHAINS

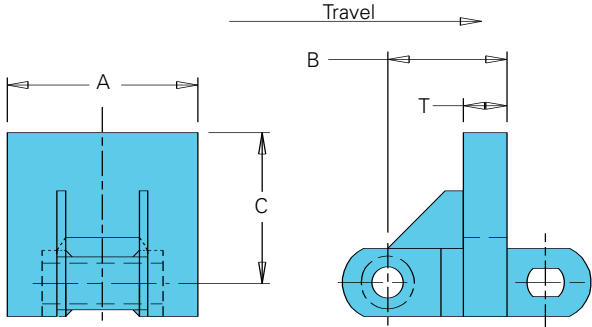
A - ENGINEERING CLASS CHAINS



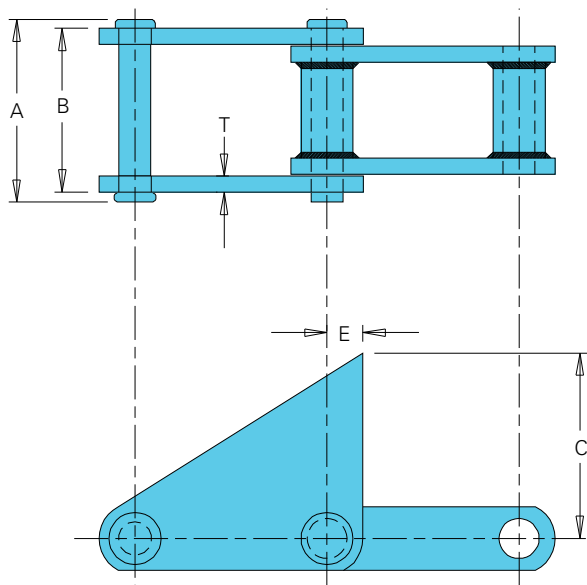
A-69



RF-12 Attachment



S-1 Attachment



Welded Steel Mill Chain Attachments (Continued)

All dimensions are in inches unless otherwise indicated.

Attach. Number	Chain Number										Approx. Weight (lbs./ft.)
		A	B	C	E	E1	F	K	J	T	
K-1	WH-78	2.00	.63	.81			2.50	.38	1.38	.25	5.5
	WH-82	2.13	.88	.88			2.75	.38	1.56	.25	7.2
K-2	WH-78	2.00	1.13	.81	.43		2.50	.38	1.09	.25	6.3
	WH-82	2.13	1.31	.88	.47		2.75	.38		.25	7.6
	WH-124	2.63	1.94	1.13	.53		3.50	.38		.38	11.7
	WH-124H	2.63	1.94	1.50	.53		3.50	.50		.50	18.4
	WH-132	3.75	2.75	1.38	.63		4.38	.50	1.66	.50	18.0
	WCH-132	3.75	2.75	1.38	.63		4.38	.50	1.66	.50	18.0
WH-150	3.75	2.75	1.63	.63		4.38	.50	1.66	.50	20.0	
R-1	WH-78				1.56	1.00	1.56		.75	.25	4.7
	WH-82				1.88	1.25	1.69		.88	.25	6.1
	WH-124				1.88	1.13	2.16		1.28	.38	9.4
R-1-1/2	WH-78				2.06	1.50	1.56		.75	.25	4.9
RR	WH-78				1.56	1.00	3.13		.75	.25	5.2
	WH-82				1.88	1.25	3.38		.88	.25	6.7
	WH-124				1.88	1.13	4.25		1.25	.38	10.4
	WH-124H				2.13	1.13	4.88		1.25	.50	17.6
RF-12	WH-132	12.00	4.56	5.25						1.00	55.0
	WH-150	12.00	4.56	5.50						1.00	58.0
	WH-155	12.00	4.56	5.50						1.00	63.0
S-1	WCH-132	6.00	5.44	5.00	1.28					.50	18.1

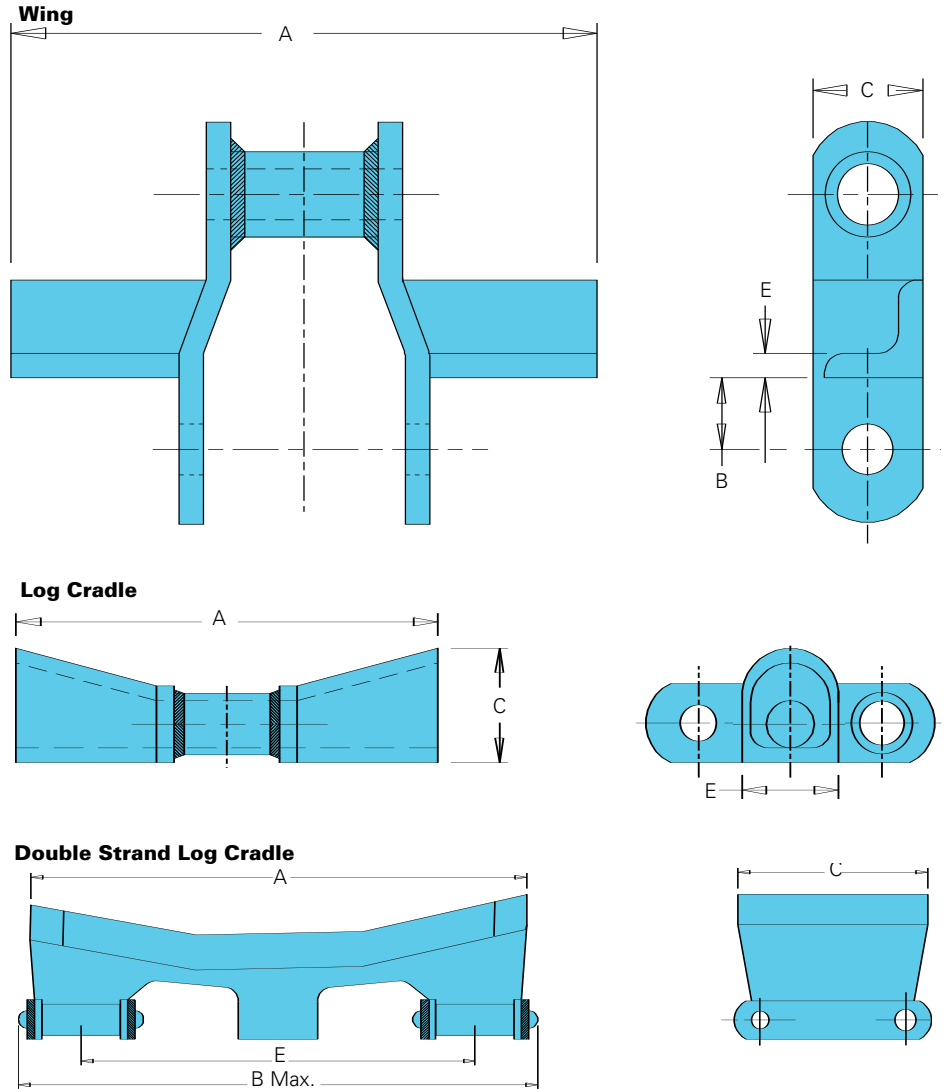
To locate compatible sprockets for your chain, refer to the Product Cross-Reference in Section D.

Note: Dimensions are subject to change. Contact Union Chain to obtain certified prints for design and construction.



UNION CHAIN DIVISION - WELDED STEEL CHAINS

A - ENGINEERING CLASS CHAINS





Welded Steel Mill Chain Attachments (Continued)

All dimensions are in inches unless otherwise indicated.

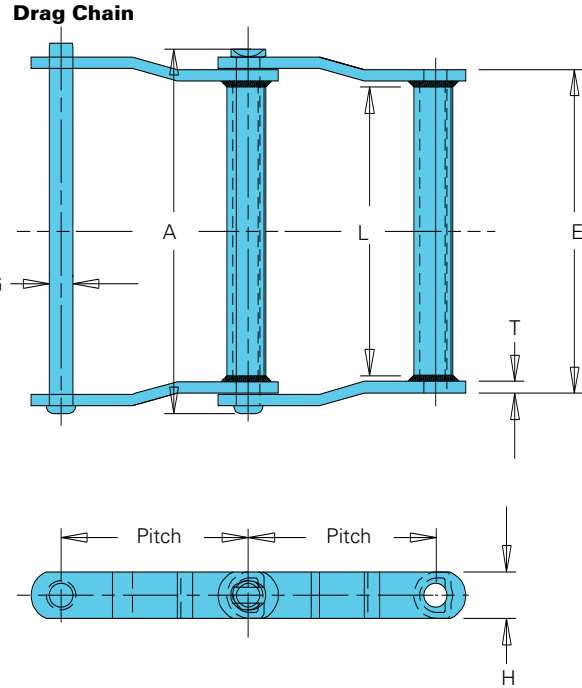
Attachment Number	Chain Number	A	B	C	E	Approximate Weight (lbs./ft.)
Wing	WH-78	6.00	.75	1.00	.25	7.3
	WH-82	6.50	.81	1.25	.25	8.6
	WH-124	8.50	1.19	1.50	.25	14.2
	WH-132	12.38	1.44	2.00	.38	21.0
	WCH-132	12.38	1.44	2.00	.38	21.0
	WH-124H	8.50	1.38	2.00	.50	19.1
Log Cradle	WH-132	11.13		3.00	3.50	29.2
	WH-132	13.00		3.00	3.50	32.2
	WCH-132	11.13		3.00	3.50	29.2
	WCH-132	13.00		3.00	3.50	32.2
Double Strand Log Cradle	WH-132	16.00	17.50	6.00	12.00	96.0
	WCH-132	16.00	17.50	6.00	12.00	96.0

To locate compatible sprockets for your chain, refer to the Product Cross-Reference in Section D.

Note: Dimensions are subject to change. Contact Union Chain to obtain certified prints for design and construction.

UNION CHAIN DIVISION - WELDED STEEL CHAINS

A - ENGINEERING CLASS CHAINS



Welded Steel Drag Chain

All dimensions are in inches unless otherwise indicated.

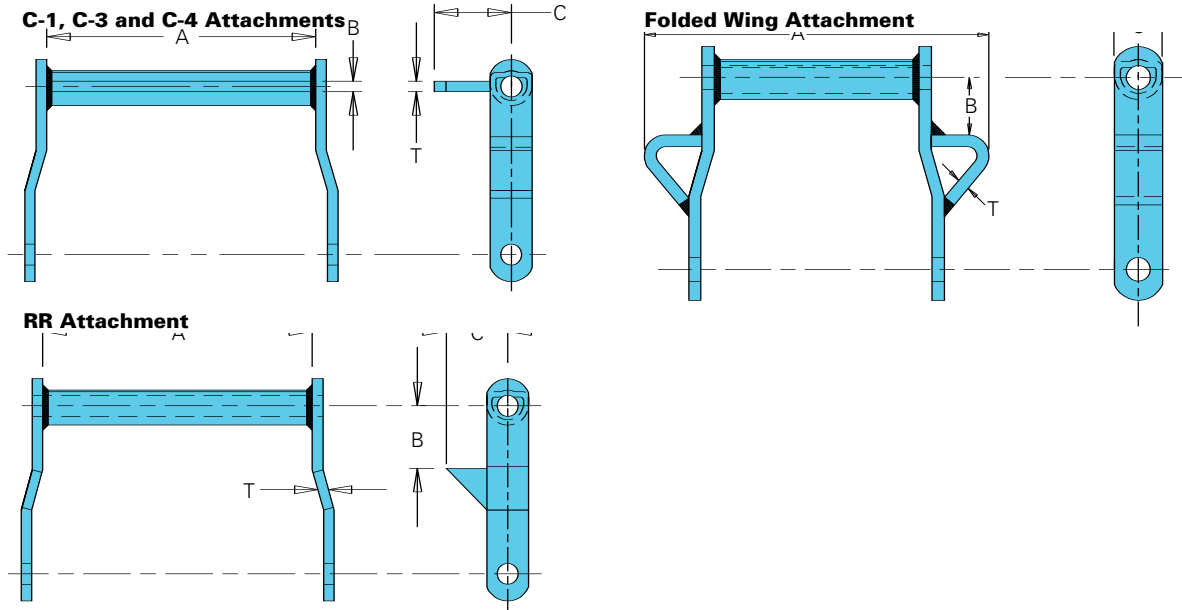
Chain Number	Pitch	Chain Width		Barrel	Pin	Sidebars		Average Ultimate Strength (lbs.)	Maximum Working Load (lbs.)	Approx. Weight (lbs./ft.)
		Overall	Length of Bearing			Thickness	Height			
		A	E	L	G	T	H			
WDH-102	5.000	9.25	7.75	6.38	.75	.38	1.50	60,000	10,000	11.8
WDH-104	6.000	6.88	5.38	4.13	.75	.38	1.50	60,000	10,000	8.7
WDH-110	6.000	11.88	10.38	9.00	.75	.38	1.50	60,000	10,000	12.0
WDH-113	6.000	12.50	10.63	9.00	.88	.50	1.50	68,000	11,700	15.0
WDH-112	8.000	11.88	10.38	9.00	.75	.38	1.50	60,000	10,000	9.8
WDH-116	8.000	15.38	14.13	12.75	.75	.38	1.75	80,000	11,500	14.5
WDH-480	8.000	14.63	12.75	11.00	.88	.50	2.00	90,000	15,000	18.1

WDH-110 Indicates this chain is normally stocked. All others are made-to-order.

To locate compatible sprockets for your chain, refer to the Product Cross-Reference in Section D.

Note: Dimensions are subject to change. Contact Union Chain to obtain certified prints for design and construction.

A-73



Welded Steel Drag Chain Attachments

All dimensions are in inches unless otherwise indicated.

Attachment Number	Chain Number					Approx. Weight (lbs./ft.)
		A	B	C	T	
C-1	WDH-102	7.00	.38	2.38	.38	14.4
	WDH-104	5.00	.38	2.38	.38	10.1
	WDH-110	10.00	.38	2.38	.38	15.5
	WDH-112	10.00	.38	2.38	.38	12.6
	WDH-116	13.00	.38	2.56	.38	18.4
C-3	WDH-113	10.00	.50	2.25	.50	17.3
	WDH-480	12.00	.50	3.00	.50	25.8
Folded Wing	WDH-102	14.25	1.75	1.50	.38	17.1
	WDH-104	11.50	2.75	1.50	.38	12.5
	WDH-110	17.00	2.63	1.50	.38	17.8
	WDH-112	17.00	3.25	1.50	.38	14.6
	WDH-113	17.00	2.25	1.50	.50	22.2
	WDH-116	22.00	3.25	1.75	.38	21.2
	WDH-480	22.00	3.25	2.00	.50	29.0
C-4	WDH-102	7.00	.38	3.75	.38	17.1
	WDH-104	5.00	.38	3.75	.38	11.7
	WDH-110	10.00	.38	3.75	.38	18.7
	WDH-112	10.00	.38	3.75	.38	15.1
	WDH-113	10.00	.50	4.75	.50	20.9
	WDH-116	13.00	.38	4.81	.38	23.5
	WDH-480	12.00	.50	5.00	.50	32.4
RR	WDH-102	8.50	1.75	2.50	.38	12.0
	WDH-104	6.25	3.00	2.50	.38	8.9
	WDH-112	11.25	3.00	2.50	.38	10.3
	WDH-113	11.63	2.25	2.50	.38	16.0
	WDH-116	14.88	3.25	3.00	.38	15.2
	WDH-480	13.75	3.00	3.25	.50	20.8

To locate compatible sprockets for your chain, refer to the Product Cross-Reference in Section D.

Note: Dimensions are subject to change. Contact Union Chain to obtain certified prints for design and construction.