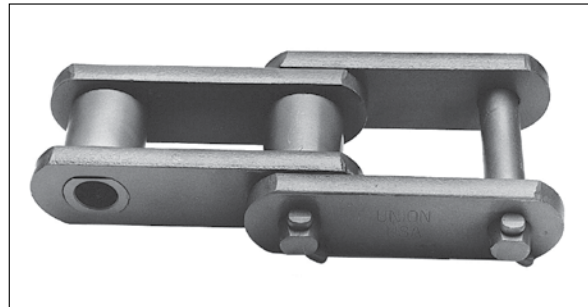
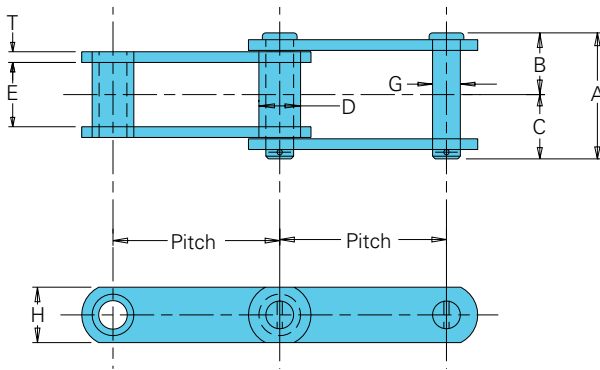


**Steel Bushed Plain Chain**



**Steel Bushed Plain Chain Specifications**

All dimensions are in inches unless otherwise indicated.

Chain Number	Pitch	Width				Bushing			Pin			Sidebar			Average Ultimate Strength (lbs.)	Max. Work Load (lbs.)	Approx. Wgt. (lbs./ft.)
		A	B	C	E	D	Sty. <sup>1</sup>	Matl. <sup>2</sup>	Dia.	Sty. <sup>3</sup>	Matl. <sup>2</sup>	Height	Thick.	Matl. <sup>2</sup>			
188	2.609	2.69	1.25	1.44	1.06	.88	P	CCH	.50	A	CHT	1.13	.25	CHT	25,000	2,750	3.8
131	3.075	3.53	1.66	1.88	1.31	1.25	P	CCH	.63	A	CHT	1.50	.38	CHT	40,000	4,500	7.5
102B	4.000	4.31	2.03	2.28	2.13	1.00	P	ACH	.63	A	ACH	1.50	.38	CHT	40,000	6,300	6.9
102-1/2	4.040	4.75	2.25	2.50	2.25	1.38	P	CCH	.75	A	ACH	1.75	.38	CHT	50,000	8,850	9.4
111	4.760	5.06	2.38	2.69	2.63	1.44	P	CCH	.75	A	ACH	2.00	.38	CHT	50,000	8,850	10.2
111SP & 7240	4.760	5.06	2.38	2.69	2.63	1.44	P	CCH	.75	A	ACH	2.00	.38	CHT	50,000	8,850	8.8
110	6.000	4.31	2.03	2.28	2.13	1.25	P	CCH	.63	A	ACH	1.50	.38	CHT	40,000	6,300	6.3
4856	6.000	6.13	2.88	3.22	3.00	1.75	R	ACH	1.00	K	AHTIH	2.50	.50	AHT	145,000	14,000	16.5
4857	6.000	6.13	2.88	3.22	3.00	1.75	R	ACH	1.00	K	AHTIH	3.25	.50	AHT	175,000	14,000	21.0
4859	6.000	7.38	3.56	3.81	3.75	2.38	R	ACH	1.25	K	AHTIH	4.00	.63	AHT	275,000	21,800	34.0
150X	6.050	6.41	3.03	3.38	3.31	1.75	P	ACH	1.00	A	ACH	2.50	.50	CHT	100,000	15,100	16.6
4864	7.000	7.38	3.56	3.81	3.75	2.38	R	ACH	1.25	K	AHTIH	4.00	.63	AHT	275,000	21,800	31.0

<sup>1</sup>Bushing style: P = Double-flat; R = Full-round.

<sup>2</sup>Material: CHT = Carbon heat-treated; CCH = Carbon case hardened; AHT = Alloy heat-treated; ACH = Alloy case-hardened; AHTIH = Alloy heat-treated induction hardened.

<sup>3</sup>Pin style: K = Full round; A = Double flat.

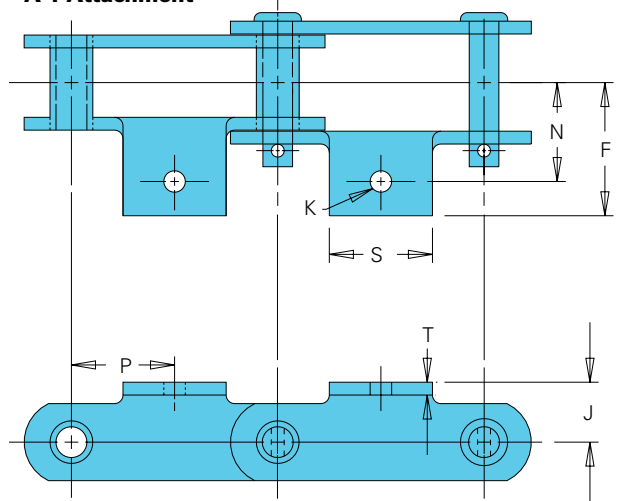
To locate compatible sprockets for your chain, refer to the Product Cross-Reference in Section D.

Note: Dimensions are subject to change. Contact Union Chain to obtain certified prints for design and construction.

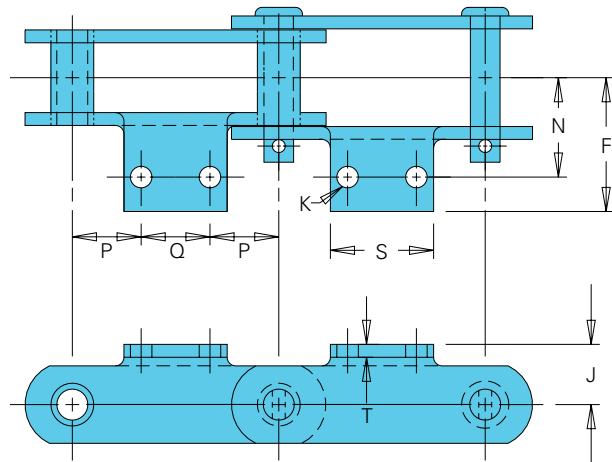
**UNION CHAIN DIVISION - STEEL BUSHED CHAINS**

A - ENGINEERING CLASS CHAINS

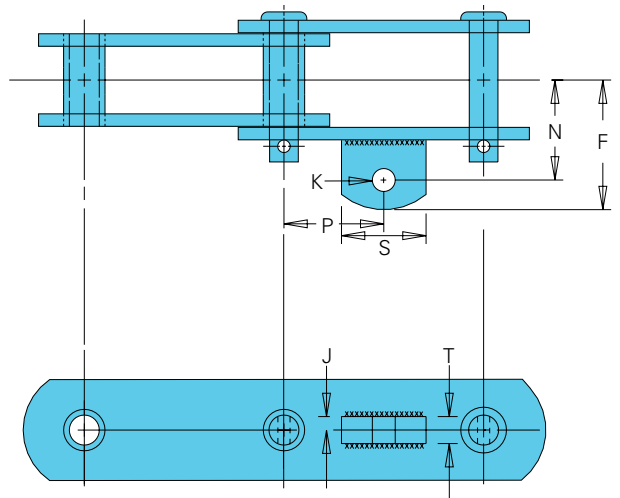
**A-1 Attachment**



**A-2 Attachment**



**A-22 and A-42 Attachment**



A-55



**Steel Bushed Attachment Specifications**

All dimensions are in inches unless otherwise indicated.

Attach. Number	Chain Number	Dimensions								Approx. Weight (lbs./ft.)
		N	Q	J	S	F	P	K	T	
A-1	188	1.88		.81	2.13	2.61	1.30	.38	.25	4.8
	131	2.06		1.00	1.31	3.02	1.54	.50	.38	8.9
	102B	2.38		1.00	2.81	3.34	2.00	.38	.38	8.9
	111	3.13		1.50	3.63	3.75	2.38	.50	.38	12.7
	110	2.66		1.00	2.81	3.53	3.00	.38	.38	8.6
A-2	188	2.09	1.25	.81	2.13	2.61	.68	.31	.25	4.8
	131	2.06	1.50	1.13	2.88	2.91	.78	.50	.38	8.9
	102B	2.66	1.75	1.00	2.81	3.34	1.13	.38	.38	8.0
	111	3.13	2.31	1.50	3.63	4.13	1.22	.38	.38	12.4
	110	2.66	1.75	1.00	2.89	3.32	2.13	.38	.38	7.5
A-22 & A-42	188	1.78		.19	1.25	2.38	1.19	.38	.38	4.8
	131	2.63		.16	1.25	3.50	1.53	.38	.38	8.4
	102B	3.13	1.75	.16	1.25	3.88	2.00	.38	.31	7.8
	111	3.38		.19	1.25	4.13	2.38	.50	.38	10.8
	110	3.13		.19	2.00	4.13	3.00	.50	.38	7.1

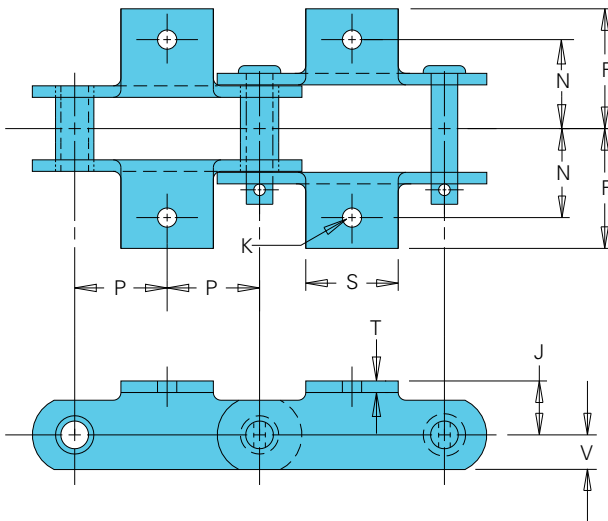
To locate compatible sprockets for your chain, refer to the Product Cross-Reference in Section D.

Note: Dimensions are subject to change. Contact Union Chain to obtain certified prints for design and construction.

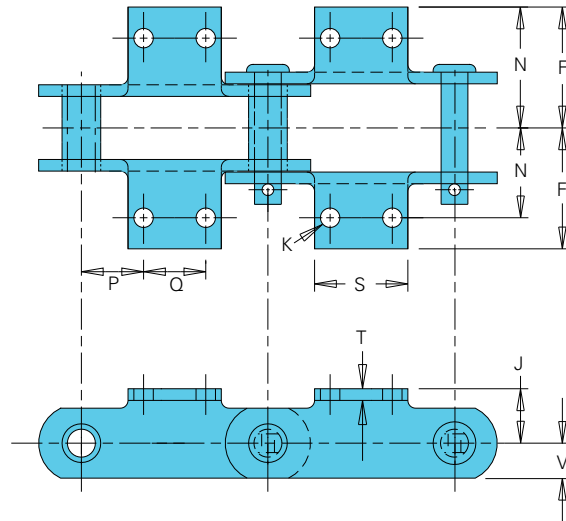
**UNION CHAIN DIVISION - STEEL BUSHED CHAINS**

A - ENGINEERING CLASS CHAINS

**K-1 Attachment**



**K-2 and K-22 Attachment**



**Steel Bushed Attachment Specifications (Continued)**

All dimensions are in inches unless otherwise indicated.

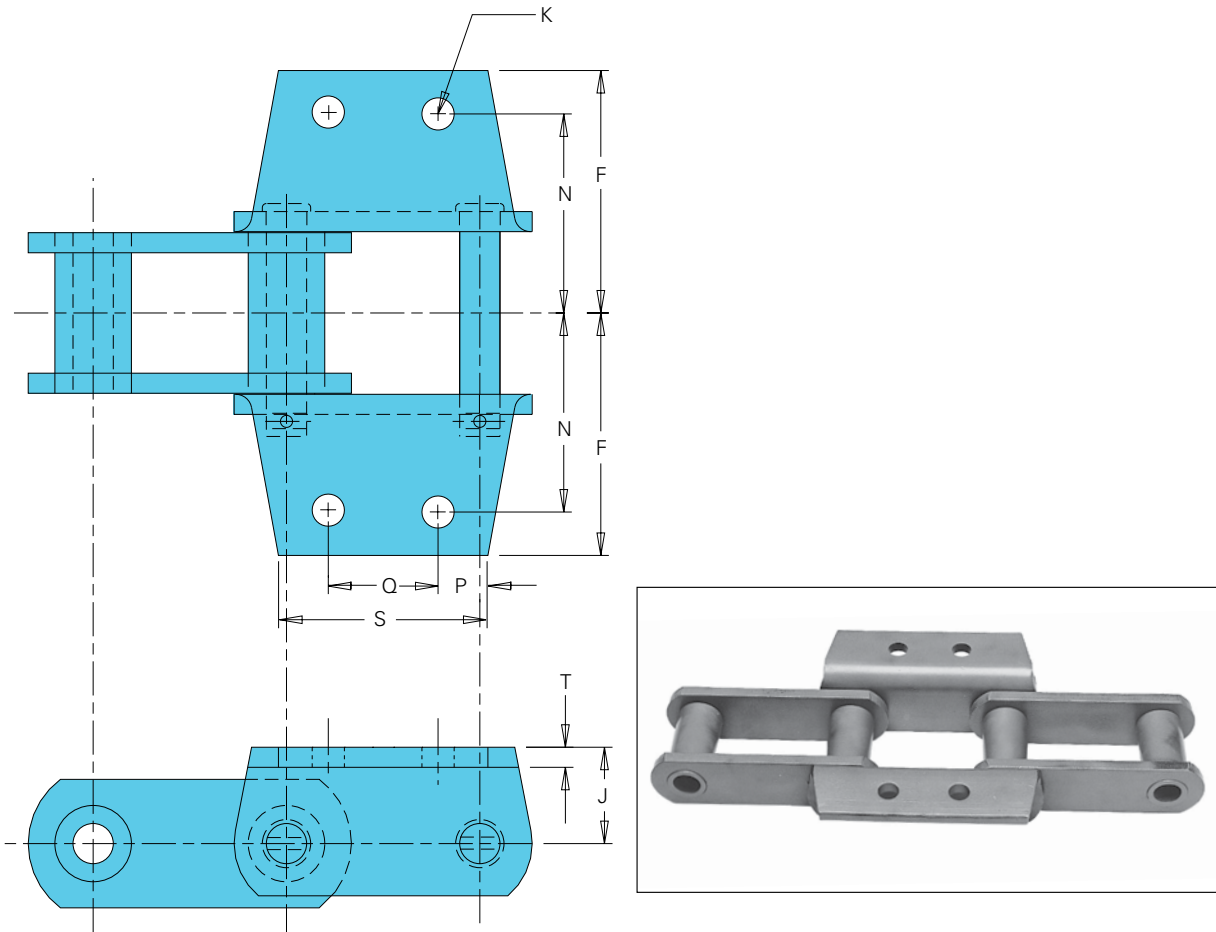
Attach. Number	Chain Number	N	M	R	F	L	Q	S	P	Bolt Dia.	K	J	T	V	Approx. Weight (lbs./ft.)
K-1	188	1.88			2.61			2.13	1.30	.38	.81	.25	.56	5.8	
	131	2.06			3.02			1.31	1.54	.50	1.00	.38	.75	10.2	
	102B	2.38			3.34			2.81	2.00	.38	1.00	.38	.75	9.0	
	111	3.13			3.75			3.63	2.38	.50	1.50	.38	1.00	15.2	
K-2	188	2.09			2.61		1.25	2.13	.68	.31	.81	.25	.56	5.8	
	131	2.06			2.91		1.50	2.88	.78	.50	1.13	.38	.75	10.2	
	102B	2.66			3.34		1.75	2.81	1.13	.38	1.00	.38	.75	9.0	
	111	3.13			4.13		2.31	3.63	1.22	.50	1.50	.38	1.00	15.2	
	111SP	3.13			4.13		2.31	3.63	1.22	.50	1.50	.38	1.00	15.2	
K-22	150X	3.75			4.91		2.75	4.25	1.66	.50	1.88	.50	1.25	23.0	
	4856	3.31			4.41		2.25	4.25	1.88	.50	1.88	.50	1.25	23.0	
	102-1/2	2.66			3.27		1.75	3.13	1.16	.50	1.13	.38	.88	24.0	
K-22	111	3.13			4.13		2.31	3.63	1.23	.38	1.50	.38	1.00	15.2	
	4856	3.16			4.25		2.25	4.25	1.88	.63	1.88	.50	1.25	23.0	

■ Indicates this chain is normally stocked. All others are made-to-order.

To locate compatible sprockets for your chain, refer to the Product Cross-Reference in Section D.

Note: Dimensions are subject to change. Contact Union Chain to obtain certified prints for design and construction.

**K-24 Attachment**



**Steel Bushed Attachment Specifications (Continued)**

All dimensions are in inches unless otherwise indicated.

Attach. Number	Chain Number	N	M	R	F	L	Q	S	P	Bolt Dia.	K	J	T	V	Approx. Weight (lbs./ft.)
K-24	4856	3.63			4.75		2.50	7.25	1.75	.63	1.88	.50			27.5

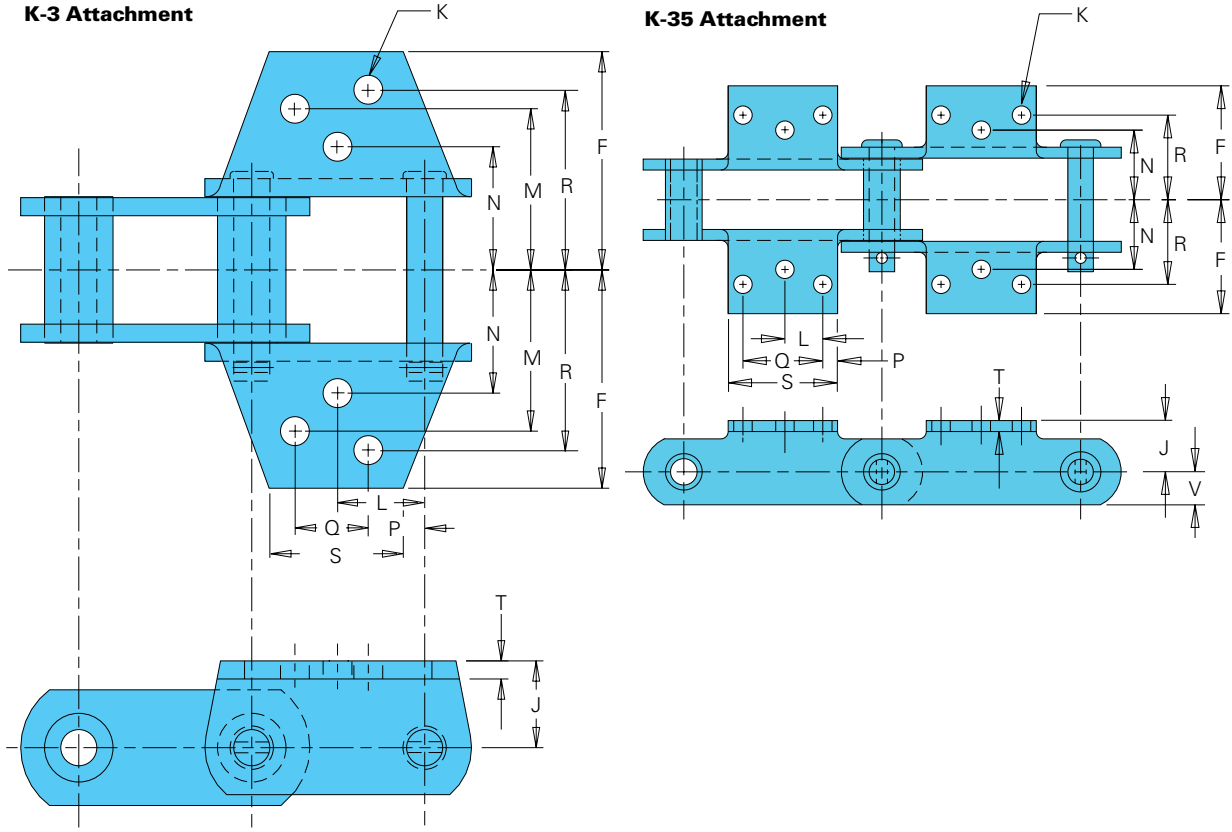
   Indicates this chain is normally stocked. All others are made-to-order.

To locate compatible sprockets for your chain, refer to the Product Cross-Reference in Section D.

Note: Dimensions are subject to change. Contact Union Chain to obtain certified prints for design and construction.

**UNION CHAIN DIVISION - STEEL BUSHED CHAINS**

A - ENGINEERING CLASS CHAINS



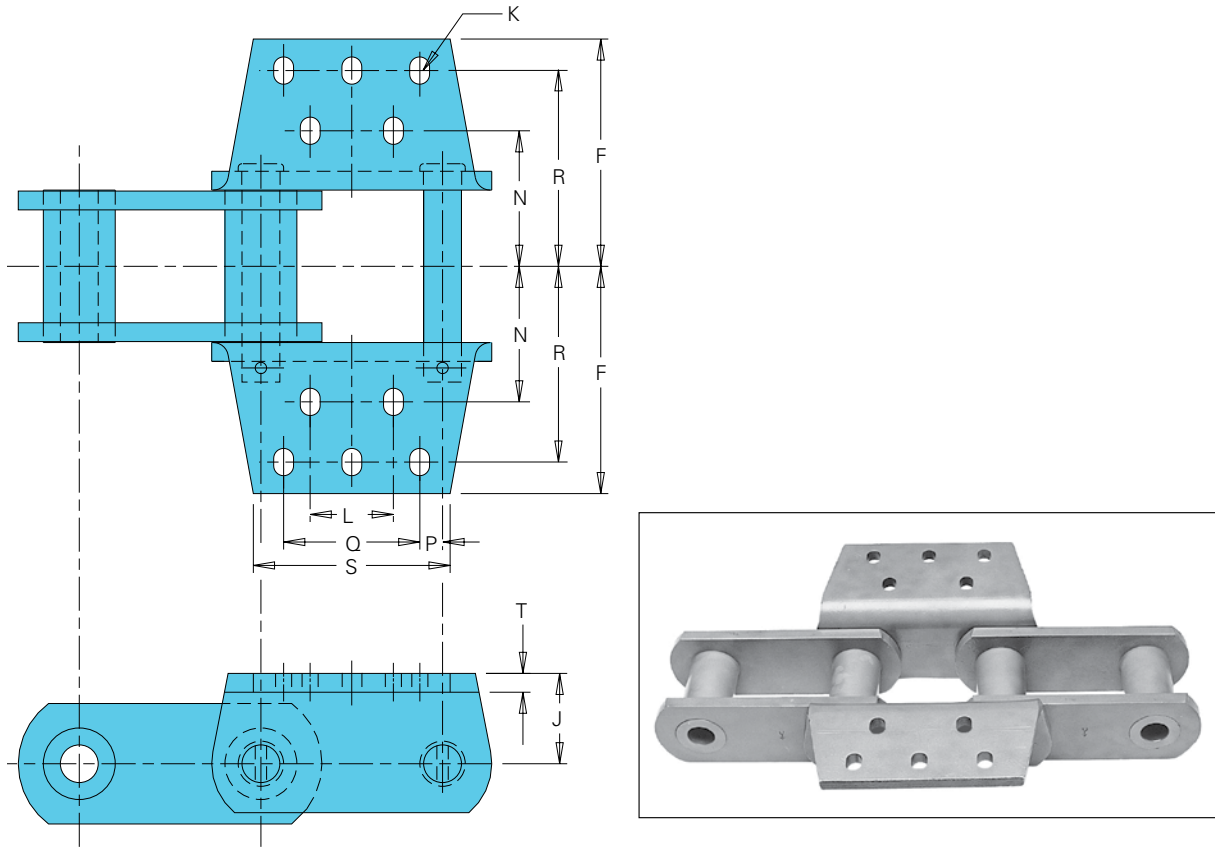
**Steel Bushed Attachment Specifications (Continued)**

All dimensions are in inches unless otherwise indicated.

Attach. Number	Chain Number	N	M	R	F	L	Q	S	P	Bolt Dia.	K	J	T	V	Approx. Weight (lbs./ft.)
K-3	150X	3.75		5.75	6.53	3.02	2.75	4.25	1.66	.50	1.88	.50			26.9
	4856	3.28	5.47	6.03	6.75	3.00	2.75	4.25	1.63	.50	1.88	.50			27.5
K-35	4856	3.63		6.13	6.75	1.25	2.50	6.44	1.75	.63	1.88	.50	1.25		27.5

To locate compatible sprockets for your chain, refer to the Product Cross-Reference in Section D.  
Note: Dimensions are subject to change. Contact Union Chain to obtain certified prints for design and construction.

**K-44 and K-443 Attachment**



**Steel Bushed Attachment Specifications (Continued)**

All dimensions are in inches unless otherwise indicated.

Attach. Number	Chain Number	N	M	R	F	L	Q	S	P	Bolt Dia.	K	J	T	V	Approx. Weight (lbs./ft.)
K-44	4857	3.50		6.00	7.25	3.50	3.50	6.56	1.25	.50	2.50	.50			42.0
	4859	4.50		6.50	7.55	2.75	4.50	6.50	.75	.63	3.00	.63			67.0
K-443	4864	4.50		6.50	7.55	3.75	5.50	8.56	.75	.63	3.00	.63			53.0

  Indicates this chain is normally stocked. All others are made-to-order.

To locate compatible sprockets for your chain, refer to the Product Cross-Reference in Section D.

Note: Dimensions are subject to change. Contact Union Chain to obtain certified prints for design and construction.