

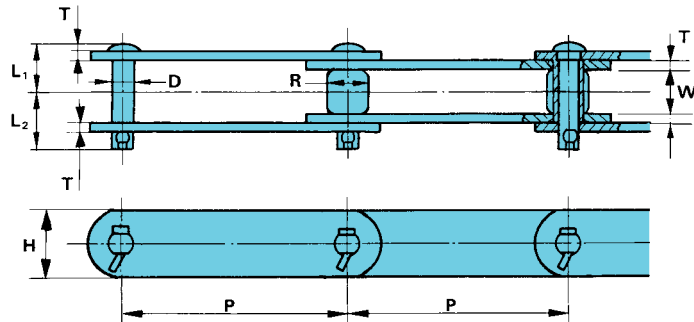
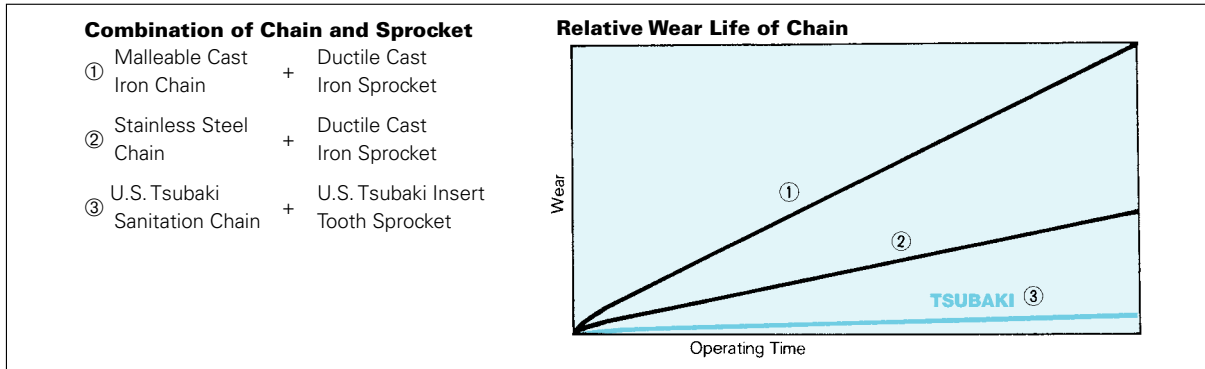
**UNION CHAIN DIVISION - SPECIALTY CHAINS**

A - ENGINEERING CLASS CHAINS

# ACR 810 Collector Tank Chains

Specially designed ACR Type Chains for sludge scrapers create real cost savings. This chain is one-third the weight of conventional pintle type chains. That means a reduction in both initial and operating costs, not to mention easy maintenance and less shoe wear.

The key to superior anti-corrosive performance is heat-treated stainless steel. ACR Type Chains provide the protection against corrosive sewage conditions that sanitation chains require. Stainless steel components minimize corrosion wear, the primary cause of chain failure.



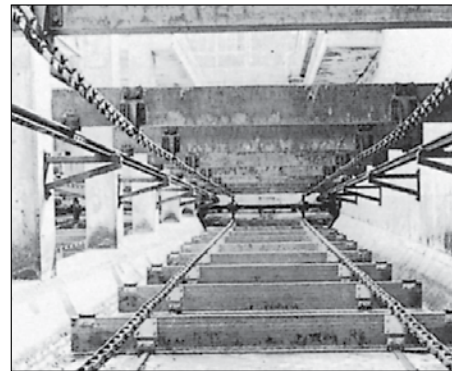
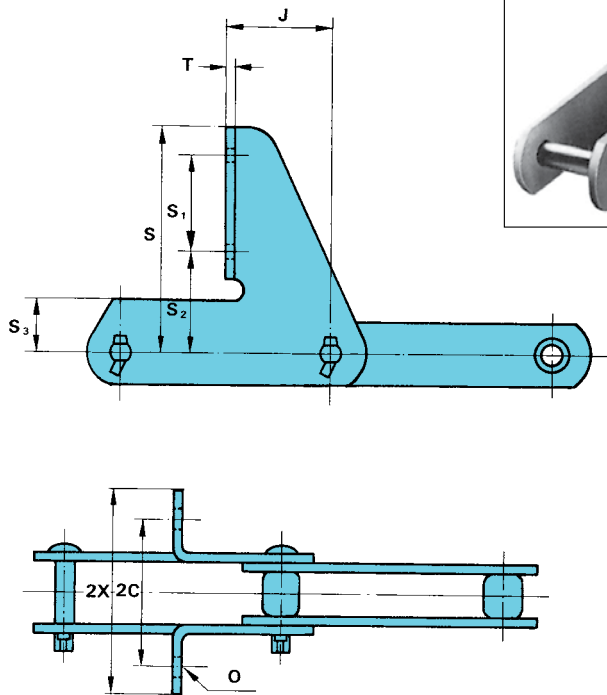
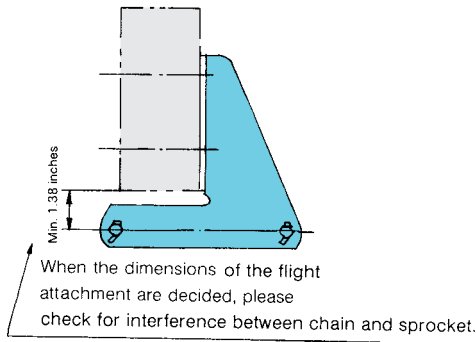
**ACR 810 Collector Tank Chain Specifications**

All dimensions are in inches unless otherwise indicated.

Chain Number	Average Tensile Stgth. (lbs.)	Pitch <b>P</b>	Width Between Inner Link Plates <b>W</b>	Roller		Pin		Link Plate		Approx. Weight (lbs./ft.)
				<b>R</b>	<b>D</b>	<b>L<sub>1</sub></b>	<b>L<sub>2</sub></b>	<b>T</b>	<b>H</b>	
ACR810	22,000	6,000	.866	.874	.445	.984	1.122	.177	1.299	2.15

To locate compatible sprockets for your chain, refer to the Product Cross-Reference in Section D.

Note: Dimensions are subject to change. Contact Union Chain to obtain certified prints for design and construction.



**ACR 810 Collector Tank Chain Attachment Specifications**

All dimensions are in inches unless otherwise indicated.

Attach. Style	Chain Number	Attachments									Add'l. Weight (lbs./att.)
		2C	2X	J	S	S <sub>1</sub>	S <sub>2</sub>	S <sub>3</sub>	O	T	
SF-4	ACR810	3.937	5.512	2.992	6.102	2.559	2.756	.866	.551	.177	.60

Note: Attachments with different dimensions are also available upon request.

To locate compatible sprockets for your chain, refer to the Product Cross-Reference in Section D.

Note: Dimensions are subject to change. Contact Union Chain to obtain certified prints for design and construction.